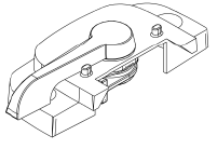
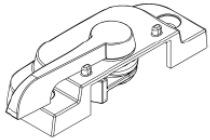
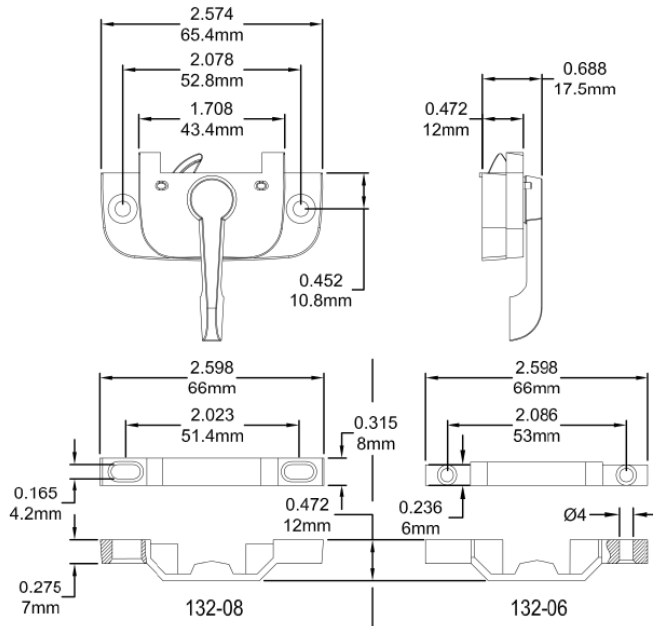


# Sash Lock with Keeper



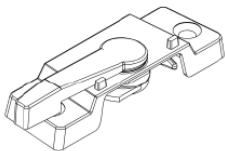
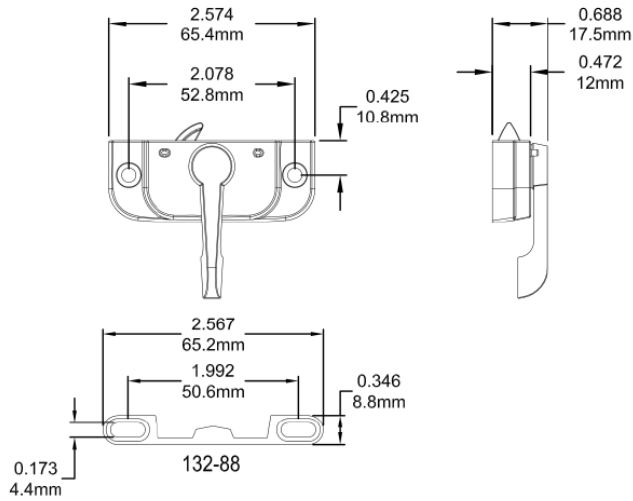
Right Hand Shown

| Part Number | Model | Hand |
|-------------|-------|------|
| 132-100     | 100   | RH   |
| 132-101     | 101   | LH   |



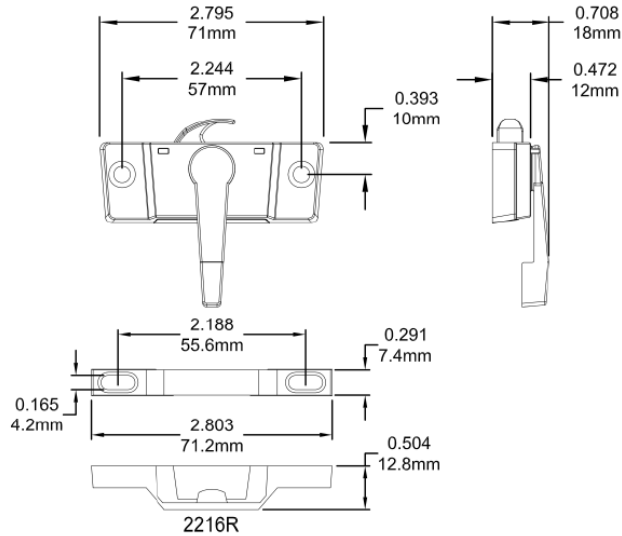
Right Hand Shown

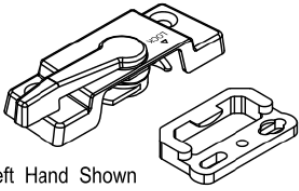
| Part Number | Model | Hand |
|-------------|-------|------|
| 132-200     | 200   | RH   |
| 132-201     | 201   | LH   |



Right Hand Shown

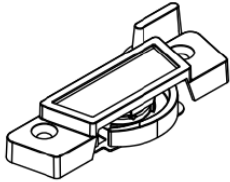
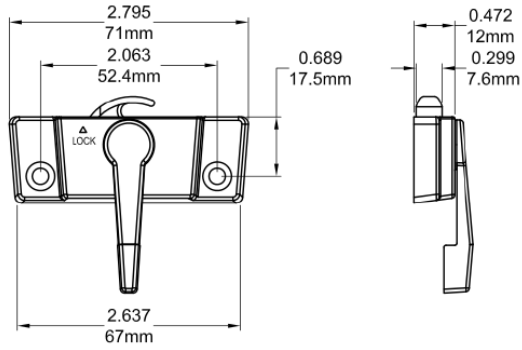
| Part Number | Model | Hand |
|-------------|-------|------|
| 132-220     | 220   | RH   |
| 132-221     | 221   | LH   |





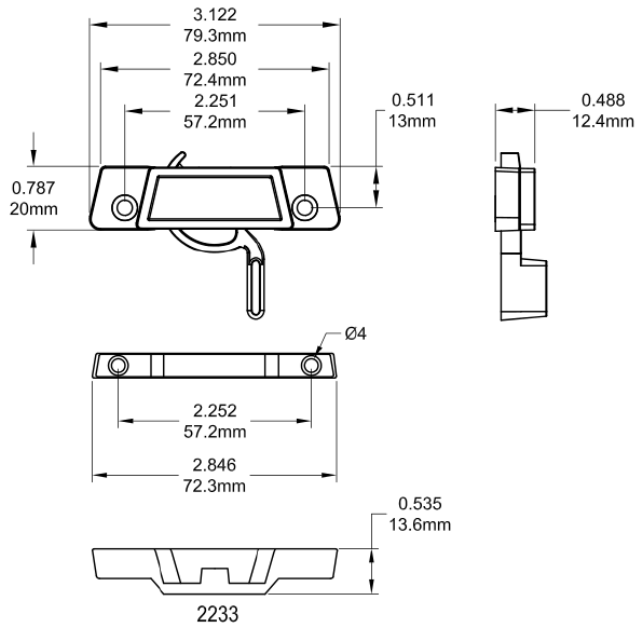
Left Hand Shown

| Part Number | Model | Hand |
|-------------|-------|------|
| 132-210R    | 210   | RH   |
| 132-210L    | 210   | LH   |

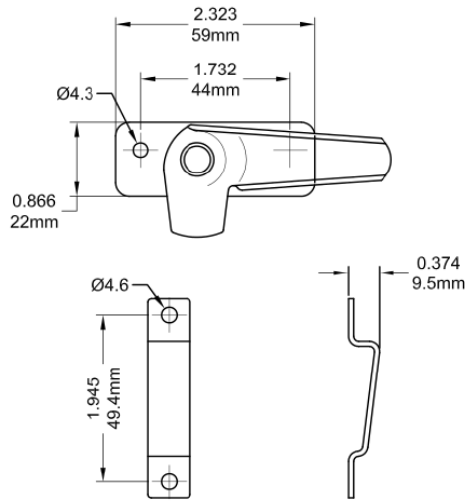
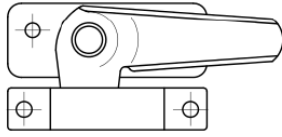


Right Hand Shown

| Part Number | Model | Hand |
|-------------|-------|------|
| 132-300     | 300   | RH   |
| 132-301     | 301   | LH   |



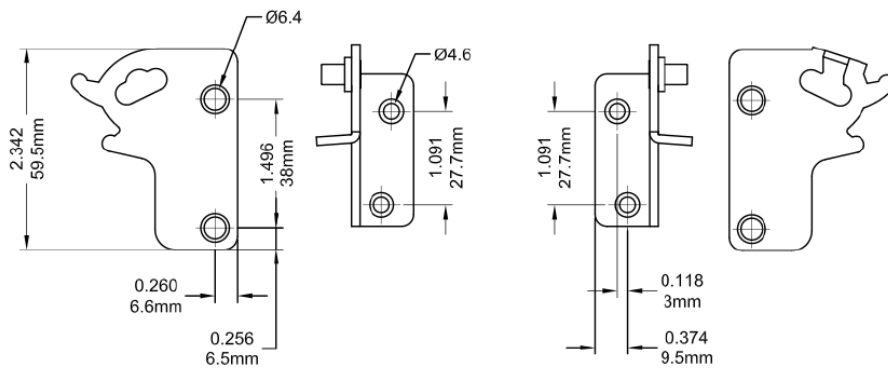
## Awning Level Lock



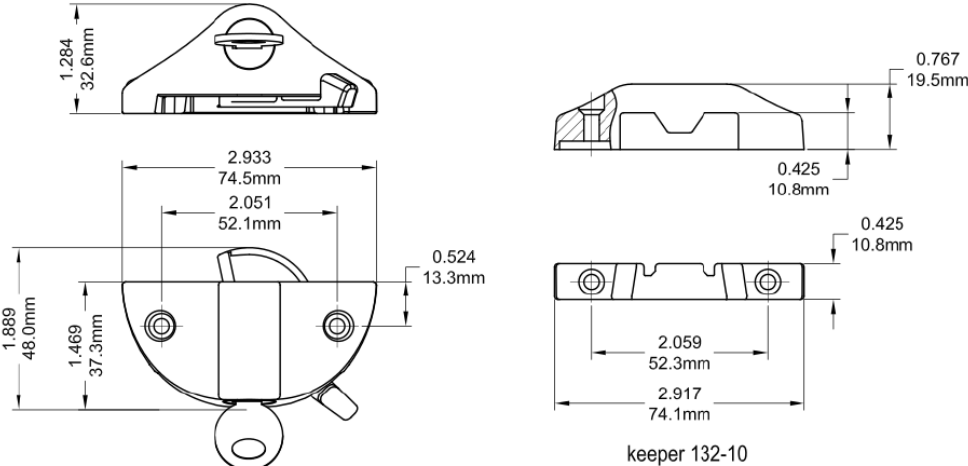
| Part Number | Material | Hand |
|-------------|----------|------|
| 132-678R1   | Steel    | Non  |
| 132-7777R1  | SST      | Non  |

## Hopper Hinge-Sidemount

| Part Number | Material |
|-------------|----------|
| 132-680     | Steel    |
| 132-7800    | SST      |



# Sash lock with key



| Part Number | Model | Hand |
|-------------|-------|------|
| 132-500     | 500   |      |