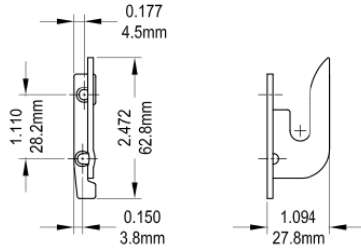


# Multi Point Locking 132-524

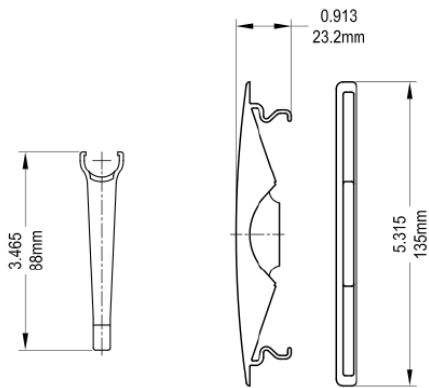
## Casement Application with Flange Keeper

Keepers 190494(RH) 190495(LH)

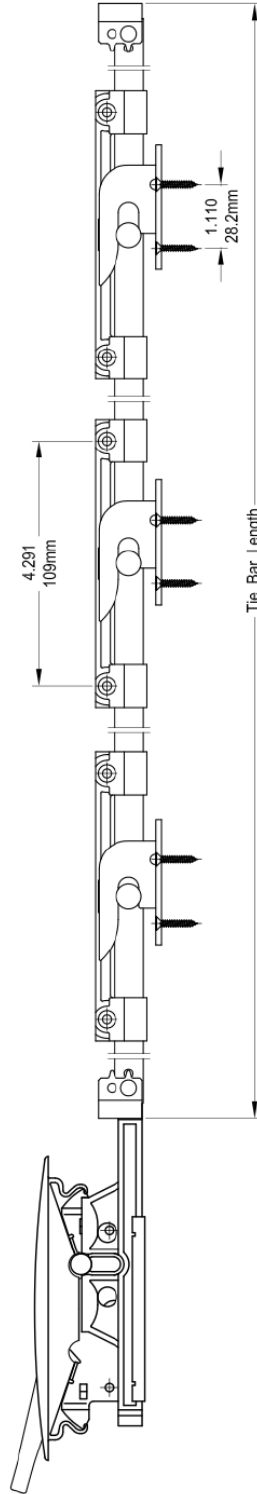
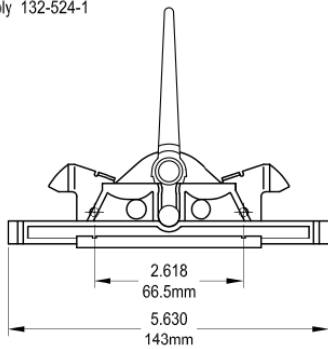
Right Hand Shown



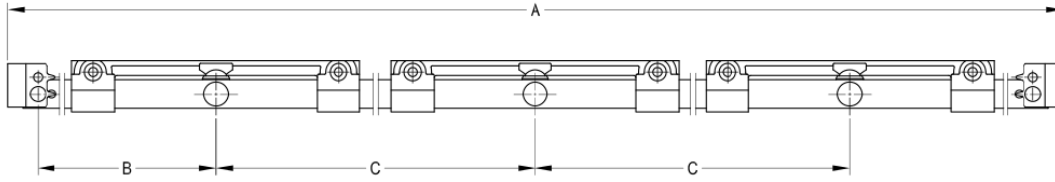
Handle and Escutcheon 132-524-2



Lock Drive Assembly 132-524-1



Tie Bar Assembly Chart



Tie Bar Assemblies				
Part Number	Lock Points	"A"	"B"	"C"
19203-58.58-3	3	1487.9mm [58.58"]	111.3mm [4.382"]	619.2mm [24.378"]
19203-52.58-3	3	1335.5mm [52.58"]	111.3mm [4.382"]	543.0mm [21.378"]
19203-46.58-3	3	1183.1mm [46.58"]	111.3mm [4.382"]	466.8mm [18.378"]
19203-46.58-2	2	1183.1mm [46.58"]	111.3mm [4.382"]	
19203-40.58-3	3	1030.7mm [40.58"]	111.3mm [4.382"]	390.6mm [15.378"]
19203-40.58-2	2	1030.7mm [40.58"]	111.3mm [4.382"]	
19203-34.58-2	2	878.3mm [34.58"]	111.3mm [4.382"]	
19203-28.58-2	2	725.9mm [28.58"]	111.3mm [4.382"]	
19203-22.58-2	2	573.5mm [22.58"]	111.3mm [4.382"]	
19203-16.58-2	2	421.1mm [16.58"]	111.3mm [4.382"]	
19203-10.58-2	2	268.7mm [10.58"]	111.3mm [4.382"]	

Awning Application with Flange Keeper

Left Hand Shown

Tie Bar Assemblies			
Part Number	Lock Points	"A"	"B"
19203-7043-1	1	188.7mm [7.429"]	111.3mm [4.382"]

