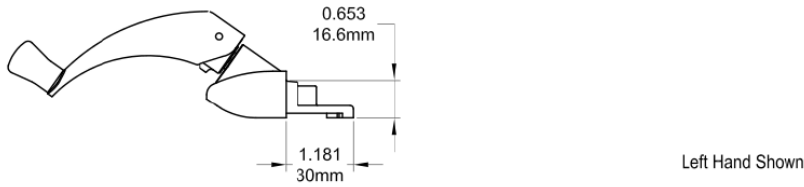
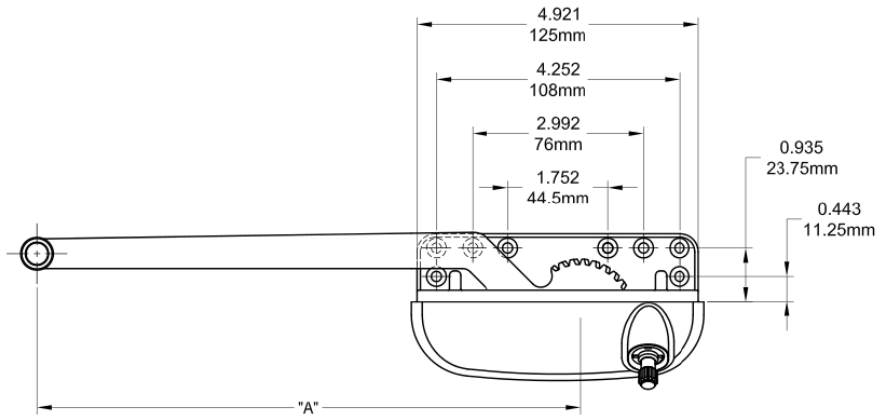
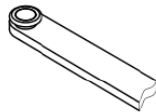


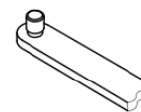
# Grande Case Single Arm Operator (Sill Mount)



<1> Nylon Glide Shoe

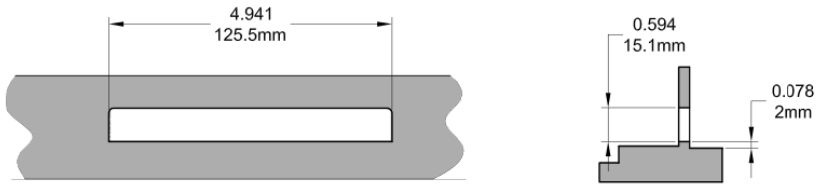


<2> SST Roller  
(Low Profile)



<3> Plastic Slider

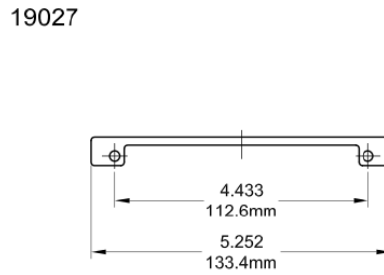
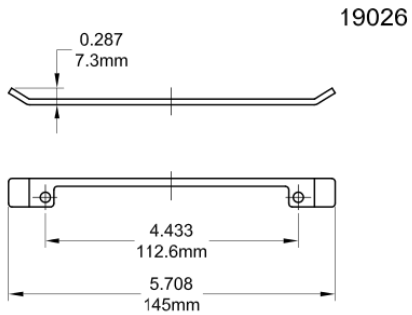
- <1> This is default, in this case, no letter attached
- <2> "X" = S Stands for SST Roller
- <3> "X" = P Stands for Plastic Slider



Profile Cut Out

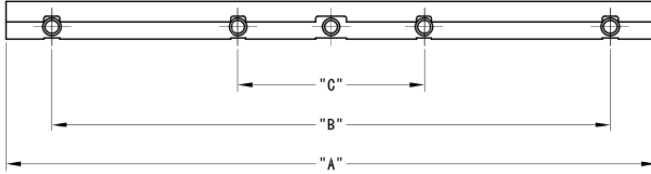
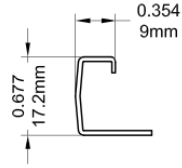
Product Name	Part Number	"A" Arm Length
7.5" Grande Single Arm Operator ,RH	132626 - RZ75X	7.5 "
7.5" Grande Single Arm Operator ,LH	132626 - LZ75X	7.5 "
9.5" Grande Single Arm Operator ,RH	132626 - RZ95X	9.5 "
9.5" Grande Single Arm Operator ,LH	132626 - LZ95X	9.5 "
13.5" Grande Single Arm Operator ,RH	132626 - RZ135X	13.5 "
13.5" Grande Single Arm Operator ,LH	132626 - LZ135X	13.5 "

## Back Plate



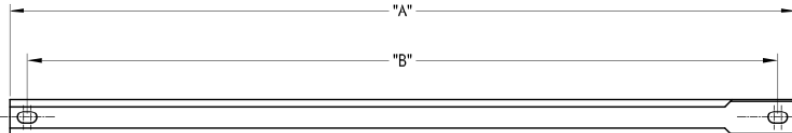
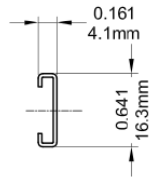
# Track

<1>



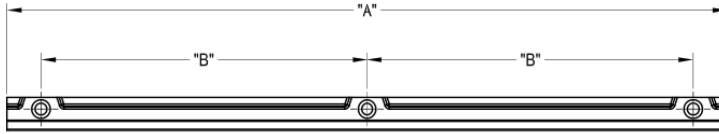
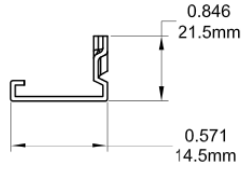
Single Arm Operator Track				
Part Number	" A "	" B "	" C "	Material
70039	8.874"	6.504"	N/A	SST
190039				Steel
70040	11.378"	9.756"	3.252"	SST
190040				Steel
70041	13.752"	12.374"	4.126"	SST
190041				Steel

<2>



Single Arm Operator Track 2 Holes			
Part Number	" A "	" B "	Material
70054	9.5"	8.87"	SST
70055	13.75"	13.12"	SST
70056	17.795"	17.165"	SST

<3>



Dual Arm Operator Track 3 holes			
Part Number	" A "	" B "	Material
70051R1	14.449"	6.496"	SST
190051R1			Steel
70052R1	12.598"	5.708"	SST
190052R1			Steel
70053R1	11.811"	5.315"	SST
190053R1			Steel