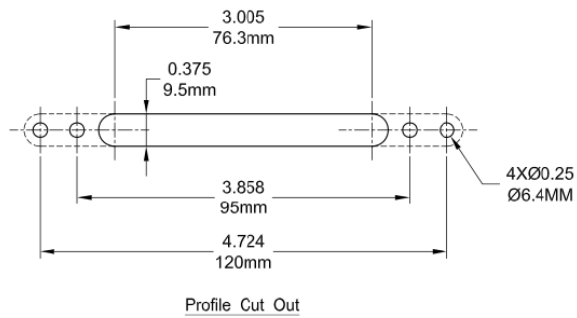
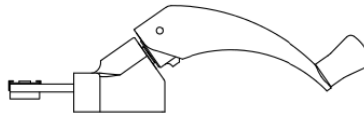
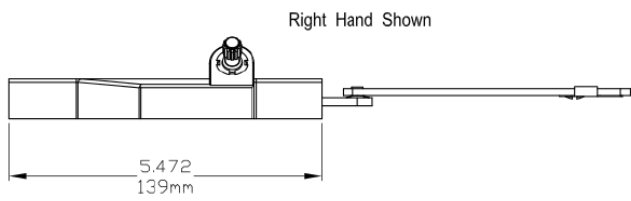
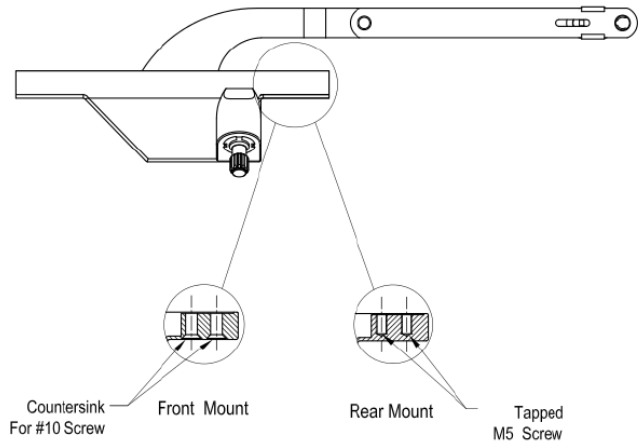
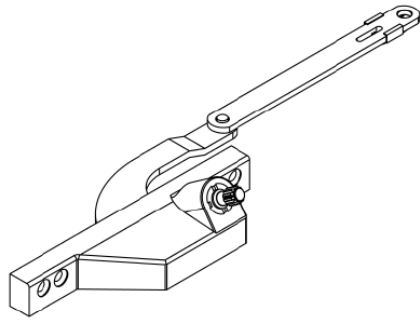


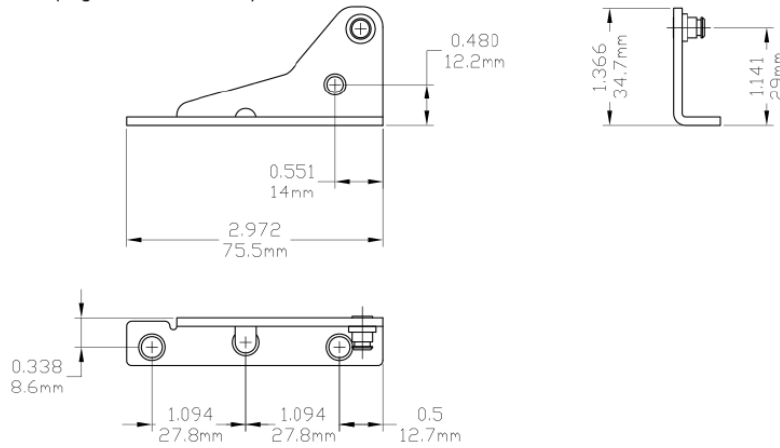
# Dyad Operator (Face Mount)





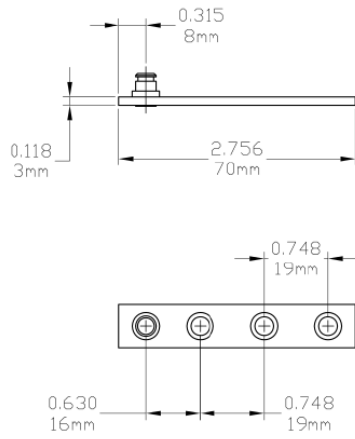
Product Name	Part Number
Face Mount Dyad Operator , Rear Mount , RH	132137R - RZS
Face Mount Dyad Operator , Rear Mount , LH	132137R - LZS
Face Mount Dyad Operator , Front Mount , RH	132137F - RZS
Face Mount Dyad Operator , Front Mount , LH	132137F - LZS

Stud Brackets (Right Hand Shown)



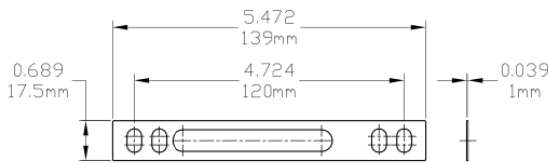
Part Number	Material	Hand
70455	SST	RH
70456	SST	LH
190455	Steel	RH
190456	Steel	LH

# Stud Brackets 190447 (Non-Handed)

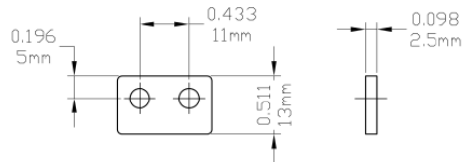


---

# Gasket 20137



# Backing Plate 190137



NOTE: (QTY2) Backing Plates Required Per Operator