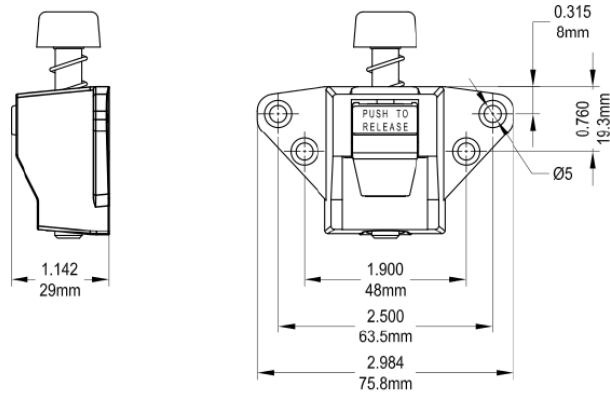
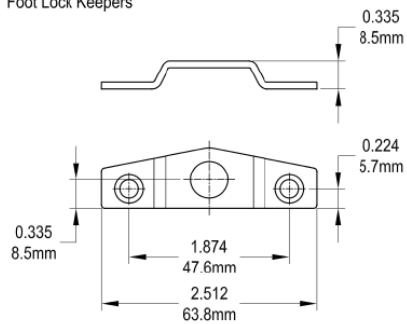


# Winged Base Foot Lock Kit



Foot Lock Keepers



Pan Head Screws



- 1--Winged Baes Foot Lock Kit
  - 2--Foot Lock Keepers
  - 8--ST4.2X25 Pan Head Screws
- Part Number : 132-531