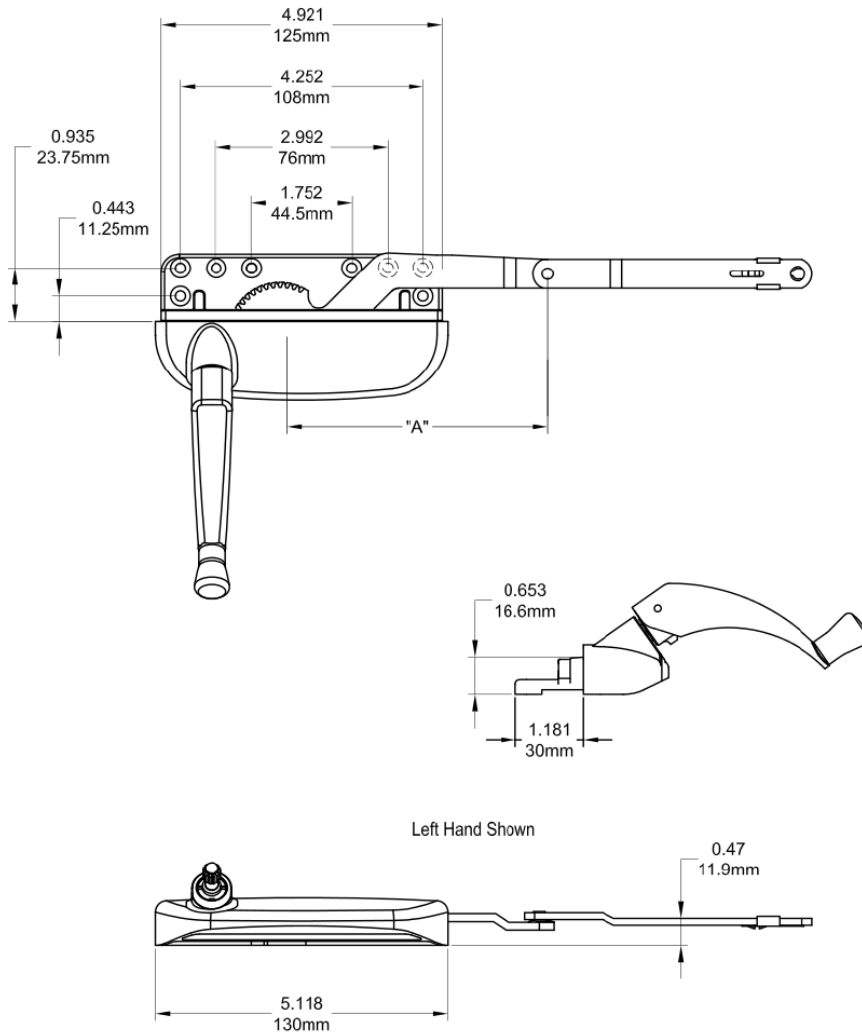
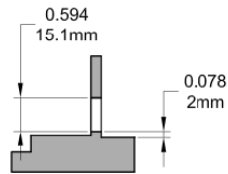
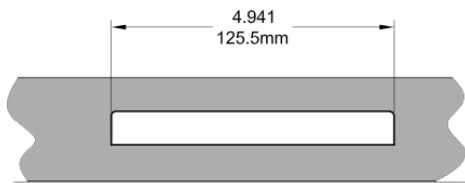
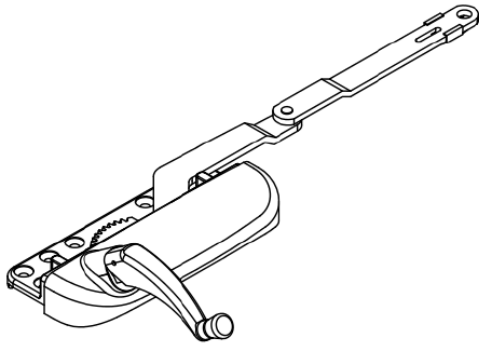


Grande Case Dyad Operator (Low Profile)

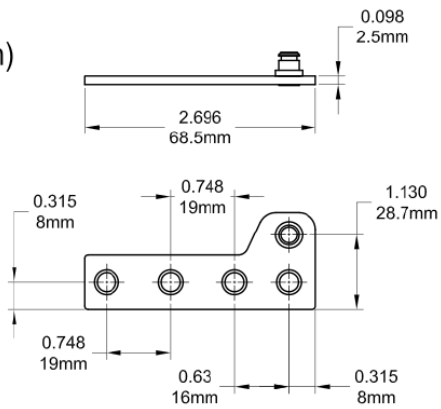


Product Name	Part Number	" A "
Grande Dyad Operator , RH (Low Profile)	132626-RQSS	4.75 "
Grande Dyad Operator , LH (Low Profile)	132626-LQSS	4.75 "
Grande Dyad Operator , Short Arm , RH (Low Profile)	132626S-RQSS	4.5 "
Grande Dyad Operator , Short Arm , LH (Low Profile)	132626S-LQSS	4.5 "



Profile Cut Out

Stud Bracket (Right Hand Shown)



Part Number	Material	Hand
190463	Steel	RH
190464	Steel	LH